

Grizzly *Industrial, Inc.*®

MODEL G0594 **Large Chipper/Shredder** **OWNER'S MANUAL**



COPYRIGHT © NOVEMBER, 2005 BY GRIZZLY INDUSTRIAL, INC.
**WARNING: NO PORTION OF THIS MANUAL MAY BE REPRODUCED IN ANY SHAPE
OR FORM WITHOUT THE WRITTEN APPROVAL OF GRIZZLY INDUSTRIAL, INC.**

#EW7656 PRINTED IN CHINA



WARNING!

Some dust created by power sanding, sawing, grinding, drilling, and other construction activities contains chemicals known to the State of California to cause cancer, birth defects or other reproductive harm. Some examples of these chemical are:

- **Lead from lead-based paints.**
- **Crystalline silica from bricks, cement and other masonry products.**
- **Arsenic and chromium from chemically-treated lumber.**

Your risk from these exposures varies, depending on how often you do this type of work. To reduce your exposure to these chemicals: Work in a well ventilated area, and work with approved safety equipment, such as those dust masks that are specially designed to filter out microscopic particles.

⚠️WARNING

Safety labels warn about machine hazards and ways to prevent injury. The owner of this machine MUST maintain the original location and readability of the labels on the machine. If any label is removed or becomes unreadable, REPLACE that label before using the machine again. Contact Grizzly at (800) 523-4777 or www.grizzly.com to order new labels.

Table of Contents

- INTRODUCTION..... 2**
 - Foreword 2
 - Machine Data Sheet..... 2
 - Contact Info..... 2
 - Identification 3
- SECTION 1: SAFETY..... 4**
 - Safety Instructions for Machinery..... 4
 - Additional Safety Instructions for Chipper/Shredders 6
- SECTION 2: SET UP 8**
 - Set Up Safety 8
 - Unpacking 8
 - Site Considerations 8
 - Items Needed for Set Up 8
 - Inventory..... 9
 - Assembly..... 9
- SECTION 4: OPERATIONS 11**
 - Operation Safety 11
 - Chipping/Shredding..... 11
- SECTION 5: MAINTENANCE 13**
 - Visual Inspection 13
 - Cleaning 13
 - Storage..... 13
- SECTION 6: SERVICE 14**
 - Troubleshooting..... 14
 - Replacing Blades 15
 - Replacing V-Belt 15
 - Parts Breakdown..... 16
 - Parts List 17
- WARRANTY AND RETURNS 18**

INTRODUCTION

Foreword

We are proud to offer the Model G0594 Large Chipper/Shredder. This machine is part of a growing Grizzly family of fine machinery. When used according to the guidelines set forth in this manual, you can expect years of trouble-free, enjoyable operation and proof of Grizzly's commitment to customer satisfaction.

We are pleased to provide this manual with the Model G0594. It was written to guide you through assembly, review safety considerations, and cover general operating procedures.

The specifications, drawings, and photographs illustrated in this manual represent the Model G0594 as supplied when the manual was prepared. For your convenience, we always keep current Grizzly manuals available on our website at www.grizzly.com. Any updates to your machine will be reflected in these manuals as soon as they are complete.

Contact Info

If you have any comments regarding this manual, please write to us at the address below:

Grizzly Industrial, Inc.
c/o Technical Documentation Manager
P.O. Box 2069
Bellingham, WA 98227-2069

We stand behind our machines. If you have any service questions or parts requests, please call or write us at the location listed below.

Grizzly Industrial, Inc.
1203 Lycoming Mall Circle
Muncy, PA 17756
Phone: (570) 546-9663
Fax: (800) 438-5901
E-Mail: techsupport@grizzly.com
Web Site: <http://www.grizzly.com>

Grizzly
Industrial, Inc.®

MACHINE DATA SHEET

Customer Service #: (570) 546-9663 • To Order Call: (800) 523-4777 • Fax #: (800) 438-5901

MODEL G0594 LARGE CHIPPER/SHREDDER

Overall Dimensions:

Overall Dimensions26½"W x 36½"D x 52½"H
Shipping Weight 177 lbs.

Capacities:

Maximum Diameter of Material Fed into the Chipping Funnel3"
Maximum Diameter of Material Fed into the Hopper.....¾"

Motor:

TypeBriggs & Stratton, Gas Powered
Horsepower 6.1 HP

General Construction:

BodySteel
Hopper.....Steel

Specifications, while deemed accurate, are not guaranteed.



Identification

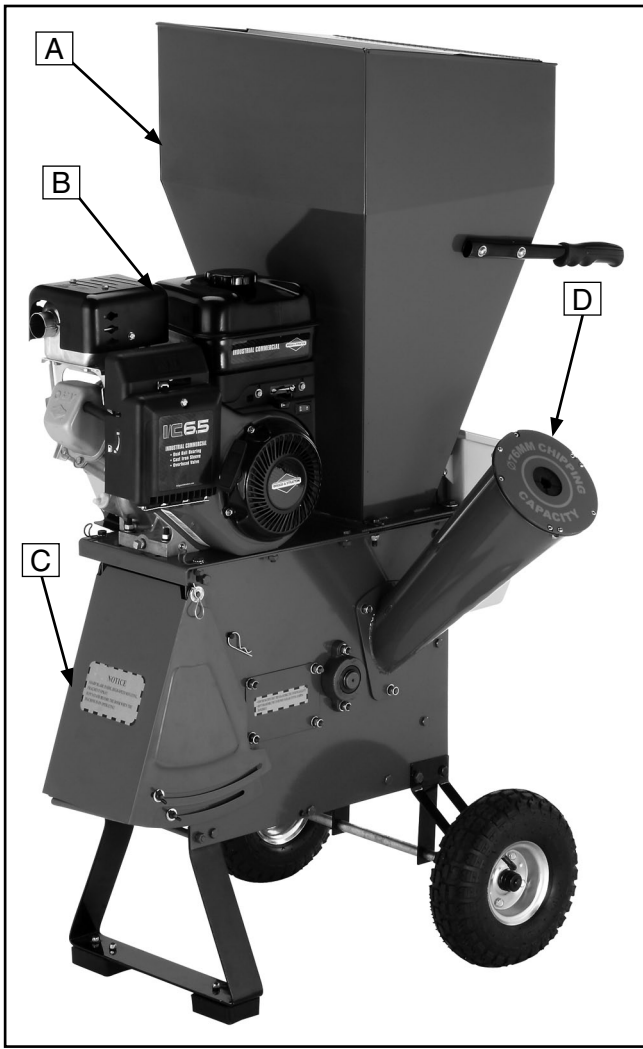


Figure 1. Chipper/shredder identification.

Machine Identification (Figures 1 & 2)

- A. Hopper
- B. Motor
- C. Chip Outlet
- D. Chipper Funnel
- E. Choke
- F. Gas Cap
- G. Throttle
- H. ON/OFF Switch
- I. Pull Start Handle
- J. Gas Shut Off Valve
- K. Exhaust

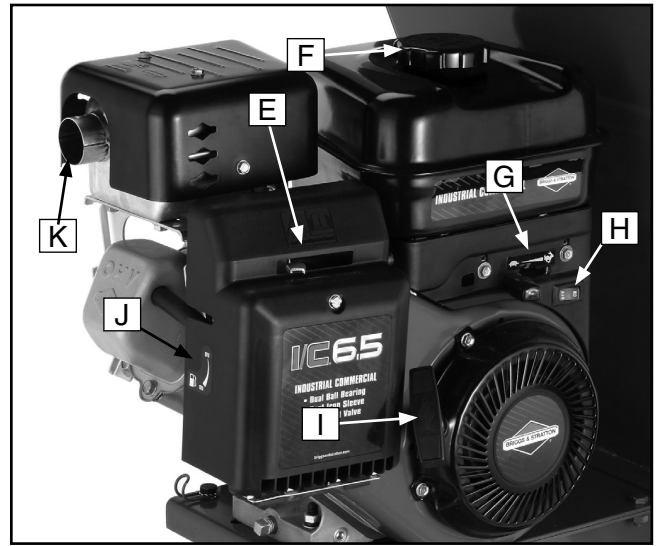


Figure 2. Motor identification.



SECTION 1: SAFETY


WARNING

For Your Own Safety, Read Instruction Manual Before Operating this Machine

The purpose of safety symbols is to attract your attention to possible hazardous conditions. This manual uses a series of symbols and signal words which are intended to convey the level of importance of the safety messages. The progression of symbols is described below. Remember that safety messages by themselves do not eliminate danger and are not a substitute for proper accident prevention measures.

 **DANGER** Indicates an imminently hazardous situation which, if not avoided, **WILL** result in death or serious injury.

 **WARNING** Indicates a potentially hazardous situation which, if not avoided, **COULD** result in death or serious injury.

 **CAUTION** Indicates a potentially hazardous situation which, if not avoided, **MAY** result in minor or moderate injury. It may also be used to alert against unsafe practices.

NOTICE This symbol is used to alert the user to useful information about proper operation of the machine.

WARNING

Safety Instructions for Machinery

- 1. READ THROUGH THE ENTIRE MANUAL BEFORE STARTING MACHINERY.** Machinery presents serious injury hazards to untrained users.
- 2. ALWAYS USE ANSI APPROVED SAFETY GLASSES WHEN OPERATING MACHINERY.** Everyday eyeglasses only have impact resistant lenses, they are NOT safety glasses.
- 3. ALWAYS WEAR AN ANSI APPROVED RESPIRATOR WHEN OPERATING MACHINERY THAT PRODUCES DUST.** Wood dust is a carcinogen and can cause cancer and severe respiratory illnesses.
- 4. ALWAYS USE HEARING PROTECTION WHEN OPERATING MACHINERY.** Machinery noise can cause permanent hearing damage.
- 5. WEAR PROPER APPAREL. DO NOT** wear loose clothing, gloves, neckties, rings, or jewelry which may get caught in moving parts. Wear protective hair covering to contain long hair and wear non-slip footwear.
- 6. NEVER OPERATE MACHINERY WHEN TIRED, OR UNDER THE INFLUENCE OF DRUGS OR ALCOHOL.** Be mentally alert at all times when running machinery.



WARNING

Safety Instructions for Machinery

7. **ONLY ALLOW TRAINED AND PROPERLY SUPERVISED PERSONNEL TO OPERATE MACHINERY.** Make sure operation instructions are safe and clearly understood.
8. **KEEP CHILDREN AND VISITORS AWAY.** Keep all children and visitors a safe distance from the work area.
9. **MAKE WORKSHOP CHILD PROOF.** Use padlocks, master switches, and remove start switch keys.
10. **NEVER LEAVE WHEN MACHINE IS RUNNING.** Turn power **OFF** and allow all moving parts to come to a complete stop before leaving machine unattended.
11. **DO NOT USE IN DANGEROUS ENVIRONMENTS.** DO NOT use machinery in damp, wet locations, or where any flammable or noxious fumes may exist.
12. **KEEP WORK AREA CLEAN AND WELL LIT.** Clutter and dark shadows may cause accidents.
13. **USE A GROUNDED EXTENSION CORD RATED FOR THE MACHINE AMPERAGE.** Undersized cords overheat and lose power. Replace extension cords if they become damaged. DO NOT use extension cords for 220V machinery.
14. **ALWAYS DISCONNECT FROM POWER SOURCE BEFORE SERVICING MACHINERY.** Make sure switch is in OFF position before reconnecting.
15. **MAINTAIN MACHINERY WITH CARE.** Keep blades sharp and clean for best and safest performance. Follow instructions for lubricating and changing accessories.
16. **MAKE SURE GUARDS ARE IN PLACE AND WORK CORRECTLY BEFORE USING MACHINERY.**
17. **REMOVE ADJUSTING KEYS AND WRENCHES.** Make a habit of checking for keys and adjusting wrenches before turning machinery **ON**.
18. **CHECK FOR DAMAGED PARTS BEFORE USING MACHINERY.** Check for binding and alignment of parts, broken parts, part mounting, loose bolts, and any other conditions that may affect machine operation. Repair or replace damaged parts.
19. **USE RECOMMENDED ACCESSORIES.** Refer to the instruction manual for recommended accessories. The use of improper accessories may cause risk of injury.
20. **DO NOT FORCE MACHINERY.** Work at the speed for which the machine or accessory was designed.
21. **SECURE WORKPIECE.** Use clamps or a vise to hold the workpiece when practical. A secured workpiece protects your hands and frees both hands to operate the machine.
22. **DO NOT OVERREACH.** Keep proper footing and balance at all times.
23. **MANY MACHINES WILL EJECT THE WORKPIECE TOWARD THE OPERATOR.** Know and avoid conditions that cause the workpiece to "kickback."
24. **ALWAYS LOCK MOBILE BASES (IF USED) BEFORE OPERATING MACHINERY.**
25. **BE AWARE THAT CERTAIN WOODS MAY CAUSE AN ALLERGIC REACTION** in people and animals, especially when exposed to fine dust. Make sure you know what type of wood dust you will be exposed to and always wear an approved respirator.



WARNING

Additional Safety Instructions for Chipper/Shredders

- 1. READ THIS ENTIRE MANUAL AND THE BRIGGS & STRATTON® MOTOR MANUAL:** These manuals contain proper operating and safety instructions for this chipper/shredder.
- 2. SAFETY EQUIPMENT:** Wear safety glasses, hearing protection, and gloves when operating a chipper/shredder. Make sure any bystanders are also wearing safety equipment.
- 3. ENGINE OPERATION:** Refer to the Briggs & Stratton motor manual for operating instructions and gasoline motor safety warnings.
- 4. HAND SAFETY:** DO NOT put hands or other body parts into hopper, funnel, or outlet while the blades are turning. The chipper/shredder can drag you into the blade, causing amputation of fingers, hands or other body parts. DO NOT touch the exhaust during or immediately after operation to prevent burns.
- 5. CLOTHING:** DO NOT wear loose clothing, neckties, scarves, or jewelry which may get caught in moving parts. DO NOT wear clothing or gloves with pull ties or straps. This type of clothing could get tangled with material that is being shredded, pulling you into the chipper/shredder.
- 6. OPERATING LOCATION:** Set up the chipper/shredder on firm, level, grass or dirt. DO NOT set up the chipper/shredder on gravel, asphalt, concrete, or stone. The chips are expelled from the machine with enough force to ricochet off of hard surfaces and cause serious injury. DO NOT set up the chipper/shredder in a location where sparks or heat from the motor could cause a fire.



7. **SECURE FOOTING:** Placing the chipper/shredder on a slope or slippery surface may cause the operator to fall into the machine, causing burns from the motor, or an amputation if an arm accidentally goes into the hopper. Wear non-slip, closed toed shoes or boots to maintain secure footing.
8. **JAMS AND CLOGGING:** Turn the chipper/shredder **OFF**, allow all moving parts to come to a complete stop, and disconnect the spark plug wire before attempting to free a jam or clog.
9. **FEEDING MATERIAL:** Hold branches and brush loosely, and allow the chipper/shredder to draw the material in. The machine sometimes will draw material in very quickly and your hand may be drawn in if you are holding tightly. If the blades hit a hard object, or if the machine begins to make an unusual noise or vibration, immediately shut the chipper/shredder **OFF**.
10. **TURN OFF CHIPPER/SHREDDER:** Turn **OFF** the machine, allow all moving parts to come to a complete stop, and disconnect the spark plug wire before moving the machine, emptying the bag, unclogging the inlets or outlets, filling the gas tank, or performing maintenance and repairs.
11. **STARTING THE CHIPPER/SHREDDER:** Make sure the hopper and funnel are empty when starting the machine. The pull start cord may stop suddenly causing the chipper/shredder to fall over or injure your hand or arm.
12. **CLEANING CHIPPER/SHREDDER:** Allow the motor to cool off, then brush dust and chip build-up off of the motor to prevent fire or motor overheating.

WARNING

Like all machinery there is potential danger when operating this machine. Accidents are frequently caused by lack of familiarity or failure to pay attention. Use this machine with respect and caution to lessen the possibility of operator injury. If normal safety precautions are overlooked or ignored, serious personal injury may occur.

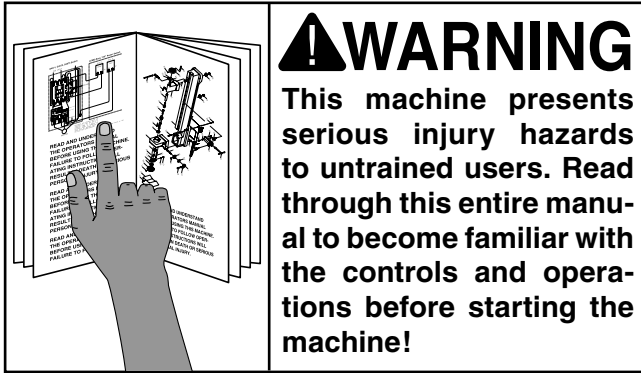
CAUTION

No list of safety guidelines can be complete. Every environment is different. Always consider safety first, as it applies to your individual working conditions. Use this and other machinery with caution and respect. Failure to do so could result in serious personal injury, damage to equipment, or poor work results.



SECTION 2: SET UP

Set Up Safety



Unpacking

The Model G0594 was carefully packed when it left our warehouse. If you discover the machine is damaged after you have signed for delivery, *please immediately call Customer Service at (570) 546-9663 for advice.*

Save the containers and all packing materials for possible inspection by the carrier or its agent. *Otherwise, filing a freight claim can be difficult.*

When you are completely satisfied with the condition of your shipment, you should inventory the contents.

Site Considerations

Location

The chipper/shredder must be placed on a firm, flat, grass or dirt surface to prevent the machine from tipping. **DO NOT** place the machine on concrete, asphalt, or other hard surfaces. The chips could bounce up from the hard surface and cause injury.

Working Clearances

Consider the length of the material to be processed through the machine and make sure that there is enough height above the chipper/shredder to accommodate the material.

Make sure the unit is located close to the area where the chips are going to be used to reduce carrying.

Stay clear of the discharge area. Make sure all bystanders, children, pets, or objects that you do not want damaged or covered in chips, are clear of the discharge area.

Items Needed for Set Up

The following items are needed to complete the set up process, but are not included with your machine:

Description	Qty
• Phillips Screwdriver	1
• Oil (see motor manual for viscosity).....	$\frac{5}{8}$ qt



Inventory

After all the parts have been removed from the box, you should have the following items:

Inventory (Figure 3)	Qty
A. Chipper/Shredder	1
B. Wheel Assembly	2
C. Hopper	1
D. Funnel	1
E. Hopper Gasket	1
F. Handles	2
G. Leg	1
H. Toolbox (Contents Not Shown)	1
—Ear Protection	1 Pair
—Safety Goggles	1 Pair
—Gloves	1 Pair
—Oil Funnel	1
—Straight Blade Screwdriver	1
—Wrench 13/15mm	1
—Wrench 12/14mm	1
—Spark plug Socket w/Handle 5/8"	1

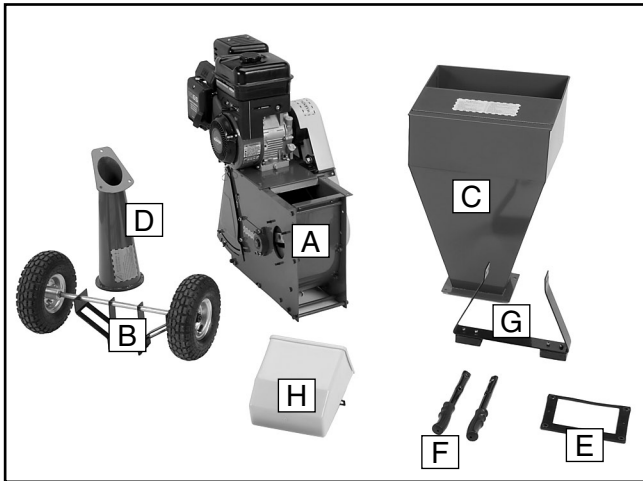


Figure 3. Model G0594 inventory.

Hardware (Not Shown)	Qty
• Hex Bolt M8-1.25 x 35	4
• Rubber Grommets	4
• Phillips Head Screw M8-1.25 x 35	4
• Fender Washers 8mm	4
• Lock Nuts M8-1.25	11
• Flat Washer 8mm	27
• Lock Washer 8mm	11

In the event that any nonproprietary parts are missing (e.g. a nut or a washer), we would be glad to replace them, or for the sake of expediency, replacements can be obtained at your local hardware store.

Assembly

The major components of this chipper/shredder have been assembled at the factory. Some minor assembly is required. The assembly process will use all the parts and hardware listed in the inventory.

DO NOT attempt to start this machine until all assembly has been completed. Serious personal injury and damage to the machine could occur.

To assemble the chipper/shredder:

1. Tip the chipper/shredder over and remove the four bolts shown in **Figure 4**. DO NOT turn the chipper/shredder over once it is full of oil and gas. The oil and gas will spill out.

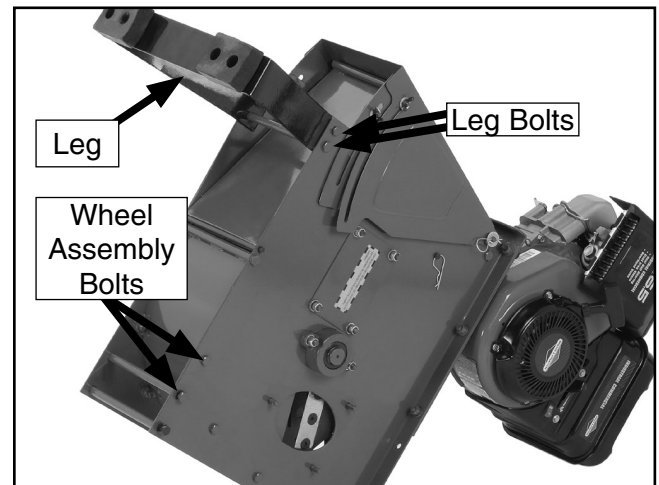


Figure 4. Attaching the leg.

2. Attach the wheel assembly and the leg with the bolts that were removed in **Step 1**.
3. Set the chipper shredder upright and set the hopper gasket around the chute as shown in **Figure 5**.





Figure 5. Positioning the hopper gasket.

4. Place the hopper on top of the gasket and line up all of the holes. Place rubber grommets and fender washers on two hex bolts, thread them through the holes nearest the motor and secure them with flat washers, lock washers, and lock nuts.
5. Line up the holes in the toolbox with the remaining holes in the hopper and secure them with the same combination of hex bolts, washers, and lock nuts as used in **Step 4** (see **Figure 6**).

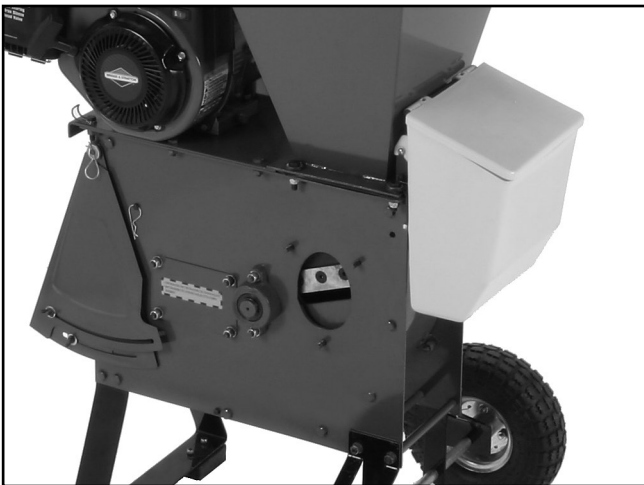


Figure 6. Attaching the hopper and toolbox.

6. Insert a Phillips head screw with a flat washer through each hole in the handles. Place three flat washers on each of the screws and insert the handle assembly into the holes in the hopper (see **Figure 7**). Secure the handles with a flat washer, lock washer, and lock nut on each screw.

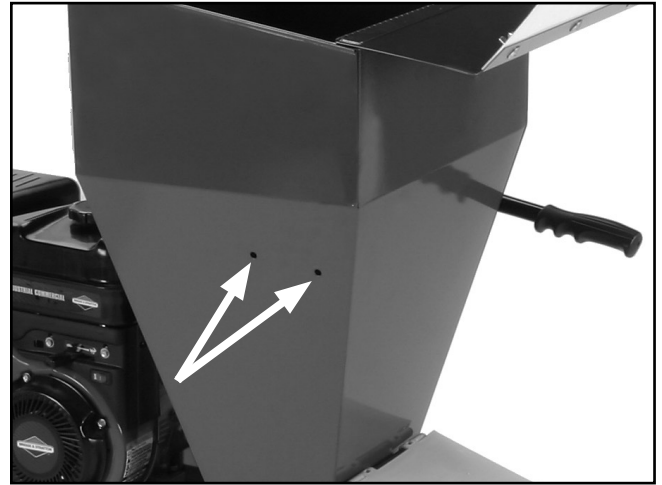


Figure 7. Installing the handles.

7. Place the funnel over the studs in the side of the chipper/shredder and secure it with the remaining flat washers, lock washers, and lock nuts (see **Figure 8**).

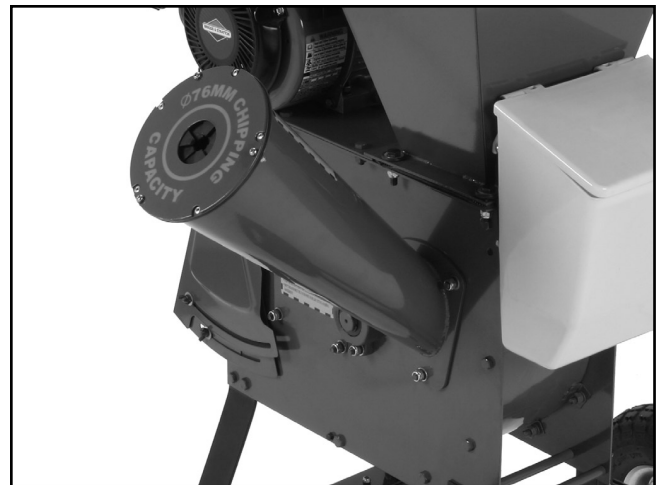


Figure 8. Funnel installation.

8. Before operating, fill the motor with oil and gas according to the instructions in the Briggs & Stratton manual.

NOTICE

This chipper/shredder does not have oil in the motor when shipped. Add oil before operating the chipper/shredder, or the motor will seize.

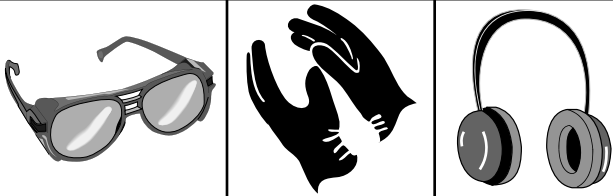


SECTION 3: OPERATIONS

Operation Safety

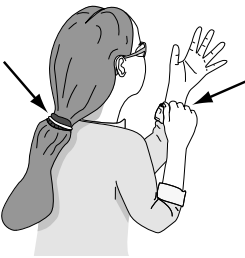
⚠️ WARNING

Damage to your eyes, hands, and ears could result from using this machine without proper protective gear. Always wear safety glasses, hearing protection, and leather gloves when operating this machine.



⚠️ WARNING

Loose hair and clothing could get caught in machinery and cause serious personal injury. Keep loose clothing and long hair away from moving machinery.



NOTICE

If you have never used this type of machine or equipment before, WE STRONGLY RECOMMEND that you read books, trade magazines, or get formal training before beginning any projects. Regardless of the content in this section, Grizzly Industrial will not be held liable for accidents caused by lack of training.

NOTICE

This chipper/shredder does not have oil in the motor when shipped. Add oil before operating the chipper/shredder, or the motor will seize.

Chipping/Shredding

Understand and follow all of the safety precautions listed in **SECTION 1: SAFETY** before operation.

This chipper/shredder is intended for mulching garden and pruning waste such as green branches, twigs, brush, vines, and long grasses. DO NOT use this chipper/shredder for chipping construction debris, plastic, paper products, rope or twine, or any material that may contain metal.

Note: Remove any nails, rope, twine, or rocks that may be imbedded in roots, before inserting material into the chipper/shredder.

To operate the chipper/shredder:

1. Place the chipper/shredder on a flat, firm, dirt or grass surface and point the outlet in a safe direction.
2. Check the oil and gas levels before starting the motor.
3. Loosen the wing nuts on the discharge chute deflector so that it swings freely, then place the bag over the chute and tie it securely in place.
4. Make sure the hopper and funnel are empty before starting the engine. If there is material in the hopper or funnel, the pull start cord may stop suddenly causing the chipper/shredder to fall over, or causing injury to your hand or arm.
5. Put on eye and ear protection, and gloves, start the chipper/shredder as instructed in the Briggs & Stratton motor manual, then set the throttle to fast.
6. Stand to the side of the hopper and make sure you have a stable stance and firm footing.



To shred twigs, leaves, and brush:

1. Slowly pour the material into the hopper. DO NOT try to stuff too much material in at one time or the machine will jam.
2. Use a 1" diameter branch to push the material into the hopper if necessary (see **Figure 9**). DO NOT use your hands!



Figure 9. Shredding leaves.

Note: Move the throttle to the idle position, or turn the chipper/shredder **OFF**, when not actively shredding or chipping.

3. Turn **OFF** the machine (see the Briggs & Stratton motor manual for instructions), allow all moving parts to completely stop, and disconnect the spark plug wire before moving the machine, emptying the bag, unclogging the inlets or outlets, filling the gas tank, or performing maintenance and repairs.

Shredding Tips:

- Feed material into the chipper/shredder slowly. If the motor begins to bog down, you are feeding too fast.
- Roots and dirty material will dull or damage the blades.
- Remove the chips often. Allowing the chips to pile up to the outlet will cause the outlet to clog.
- Avoid shredding wet leaves or brush to reduce clogging. If you must shred wet material, alternate wet and dry material.

To chip branches:

1. Stand to the side of the hopper and make sure you have a stable stance and firm footing.
2. Remove twigs and smaller branches from the branch if they might catch on the edges of the funnel and prevent the branch from going in.
3. Place branches up to 3" diameter into the funnel, thick end first, and allow the blades to draw the branch into the funnel (see **Figure 10**).



Figure 10. Chipping branches.

4. When finished chipping, turn **OFF** the machine, allow all moving parts to come to a complete stop, and disconnect the spark plug wire before moving the machine, emptying the bag, unclogging the inlets or outlets, filling the gas tank, or performing maintenance and repairs.

Chipping Tips:

- DO NOT feed material in excess of 3" diameter into the funnel. Large branches will cause the motor to stall.
- Chipping wood when it is green is easier on the machine. The blades will stay sharper longer.
- The chipper/shredder will work best if the blades are sharp. Rotate, sharpen, or replace the blades as soon as chipper/shredder performance begins to deteriorate.



SECTION 4: MAINTENANCE

WARNING

Turn **OFF** the machine, allow all moving parts to come to a complete stop, and disconnect the spark plug wire before moving the machine, emptying the bag, unclogging the inlets or outlets, filling the gas tank, or performing maintenance and repairs.

Visual Inspection

Before and after using the chipper/shredder, closely inspect the machine for loose parts and damage.

- Check the hopper, hopper guard, and funnel for cracks, holes, and loose bolts.
- Check the box frame for cracks or damage.
- Check the entire machine for loose bolts or screws.
- Check the blades and hammers for cracks and dings.
- Check the engine oil level. See the Briggs & Stratton motor manual for specifications.

Cleaning

Clean the Model G0594 after each use. Allow the motor to cool and remove the spark plug wire. Brush off or vacuum wood chips and wipe off the remaining dust from the exterior of the machine with a dry cloth. **DO NOT** rinse off the chipper/shredder with water. Remove any chips or debris from the hopper and the discharge chute.

It is much harder to clean the machine if you allow it to sit for a while after use. You may need to use an engine cleaner to remove the built up resins from the motor. Engine cleaners are available at most auto parts stores.

Storage

Follow these guidelines when storing your chipper/shredder.

- Remove the spark plug wire to prevent unauthorized starting.
- Empty the bag before storing to keep the mulch from rotting in the bag.
- Place the chipper/shredder in a dry, level area. If the chipper/shredder is tipped it may leak oil and gas.
- **DO NOT** store the chipper/shredder near an ignition source, such as a wood stove, gas or electric heater, or an appliance or heater with a pilot light.
- Store the chipper/shredder in a well ventilated area. **DO NOT** store the chipper/shredder in an area that will allow toxic gas fumes into areas inhabited by humans or animals.
- Close the discharge chute deflector and place the covers over the hopper and the funnel to prevent objects or critters from getting into the machine.
- When storing for more than 30 days, follow the instructions in the Briggs & Stratton motor manual for long term storage.



SECTION 5: SERVICE

Review the troubleshooting and procedures in this section to fix your machine if a problem develops. If you need replacement parts or you are unsure of your repair skills, then feel free to call our Technical Support at (570) 546-9663 for machine repairs, or contact Briggs & Stratton for motor repairs.

WARNING

Turn **OFF** the machine, allow all moving parts to come to a complete stop, and disconnect the spark plug wire before moving the machine, emptying the bag, unclogging the inlets or outlets, filling the gas tank, or performing maintenance and repairs.

Troubleshooting

Symptom	Possible Cause	Possible Solution
Engine will not start.	<ol style="list-style-type: none"> Control levers are not in correct positions for starting. Spark plug wire is not connected to the spark plug, or the spark plug is bad. No gas, or gas is old and stale. Air filter is dirty. Engine oil is low. Blocked fuel line. 	<ol style="list-style-type: none"> Make sure the ON/OFF switch is ON, the fuel shut-off valve is open, and the choke and throttle controls are in the start position. Connect the spark plug wire or replace the spark plug. If empty, fill the tank. If full, drain the gas, then fill the tank with fresh gas. Clean out the air filter. Add oil to the engine. Clean out the fuel line.
Engine does not run smoothly.	<ol style="list-style-type: none"> Engine is warm, and the choke is still in the CHOKE position. Air filter is dirty. Stale fuel, water or dirt in fuel, blocked fuel line. 	<ol style="list-style-type: none"> Move the choke to the RUN position. Clean the air filter. Drain the fuel tank, clean out the fuel line, and fill the tank with fresh gas.
Engine overheats.	<ol style="list-style-type: none"> Chips and sawdust around the motor. Dirty air filter. 	<ol style="list-style-type: none"> Clean off the motor. Clean out the air filter.
Machine vibrates or makes unusual noises.	<ol style="list-style-type: none"> Loose or damaged parts. Impeller or blades have woody residue or chunks stuck to them. 	<ol style="list-style-type: none"> Check the blades, hammers, impeller, and all connections. Tighten, repair, or replace any loose or damaged parts. Clean the impeller and blades.
Chipper/shredder no longer chips or shreds well.	<ol style="list-style-type: none"> Dull or damaged blades and hammers. Loose, worn, or damaged V-belt. 	<ol style="list-style-type: none"> Sharpen or replace blades and check the hammers for damage. Replace or tighten V-belt.
Chips do not come out of the discharge chute or come out slowly.	<ol style="list-style-type: none"> Discharge chute or hopper is clogged. Insufficient motor RPM's. 	<ol style="list-style-type: none"> Turn OFF the motor, disconnect the spark plug, then clean out the machine. Move the throttle to FAST.



Replacing Blades

Sharpen or replace the blades as soon as the chipping performance begins to deteriorate, or if you notice dings, chips, or cracks.

Tools Needed	Qty
Wrench/Socket 13mm	1
Hex Wrench 5mm.....	1

To perform this procedure:

1. TURN **OFF** THE MACHINE, ALLOW ALL MOVING PARTS TO COME TO A COMPLETE STOP, AND DISCONNECT THE SPARK PLUG WIRE!
2. Remove the side cover plate (photo inset in **Figure 11**) to expose the blades.

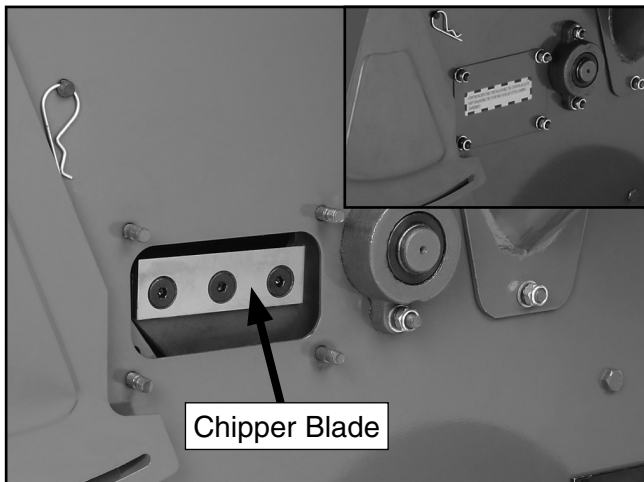


Figure 11. Chipper blade.

3. Remove one blade, rotate the impeller, and remove the second blade.
4. Have the original blades professionally sharpened, or order a replacement set, then re-install the blades.
5. Replace the side cover plate and re-attach the spark plug wire.

Replacing V-Belt

Replace or tighten the V-belt if you notice the motor running and the chipper blades are not spinning.

Tools Needed	Qty
Wrench/Socket 13mm	1

To perform this procedure:

1. TURN **OFF** THE MACHINE, ALLOW ALL MOVING PARTS TO COME TO A COMPLETE STOP, AND DISCONNECT THE SPARK PLUG WIRE!
2. Remove the pulley cover (photo inset in **Figure 12**).

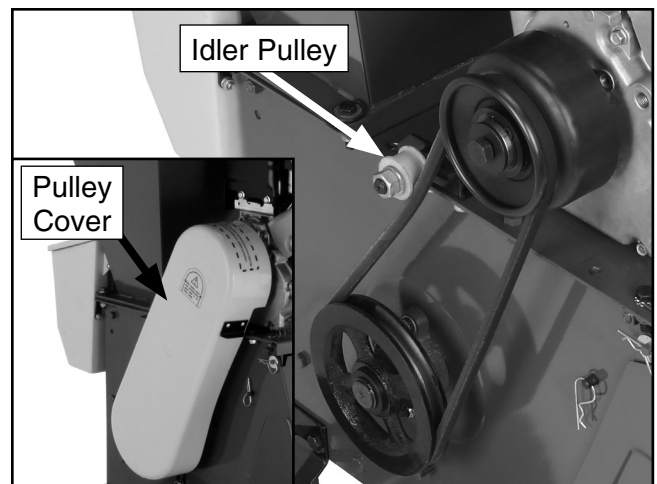
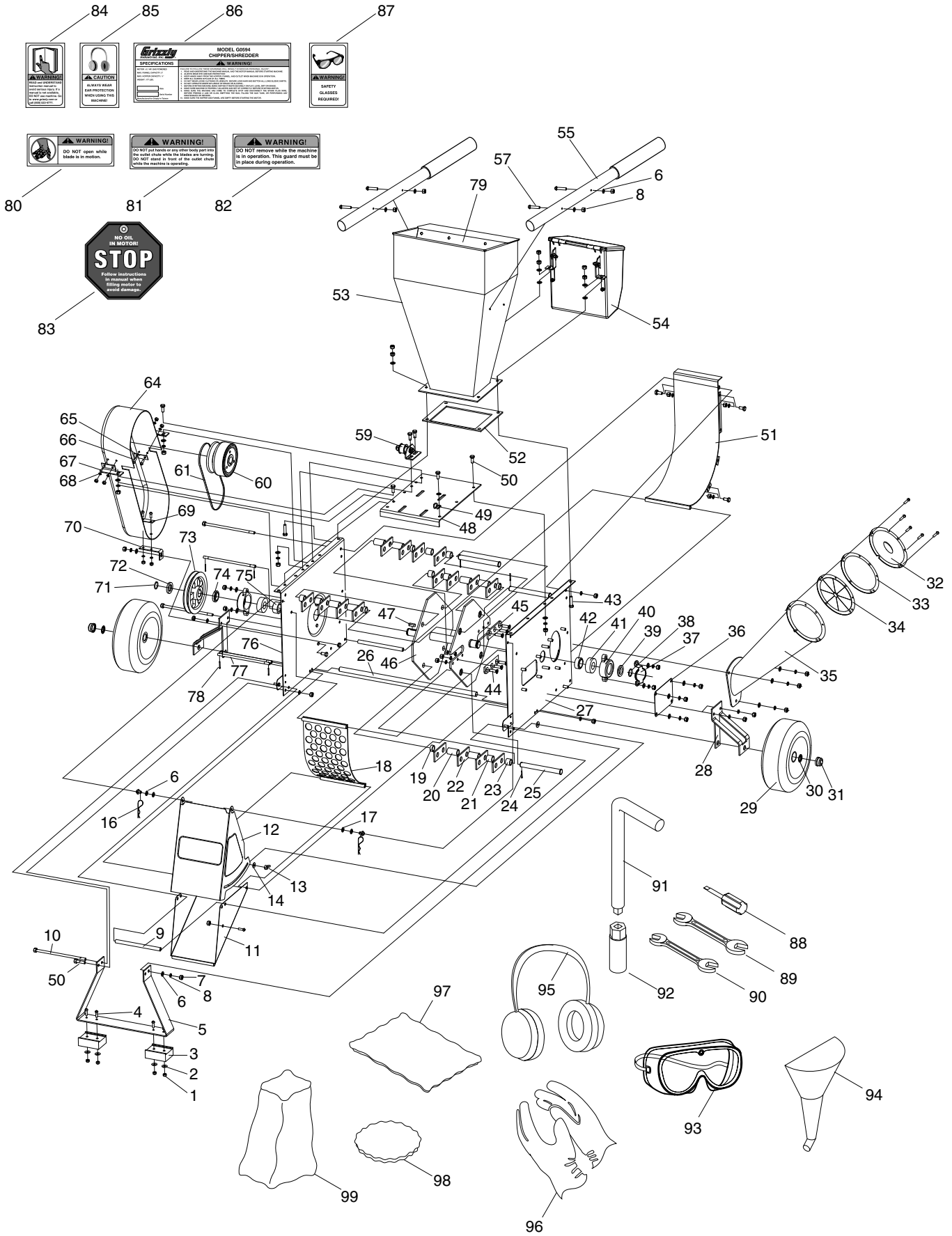


Figure 12. Replacing V-belt.

3. Loosen the idler pulley and roll the belt off of the pulleys (see **Figure 12**).
4. Install the new belt and adjust the idler pulley so the V-belt deflects approximately $\frac{3}{8}$ " when pushed with moderate pressure.
5. Replace the V-belt cover and re-attach the spark plug wire.



Parts Breakdown



Parts List

REF	PART #	DESCRIPTION
1	PLN03M	LOCK NUT M6-1
2	PW03M	FLAT WASHER 6MM
3	P0594003	RUBBER FOOT
4	PS26M	PHLP HD SCR M6-1 X 20
5	P0594005	LEG
6	PW01M	FLAT WASHER 8MM
7	PN03M	HEX NUT M8-1.25
8	PLW04M	LOCK WASHER 8MM
9	P0594009	TUBE
10	P0594010	HEX BOLT M8-1.25 X 200
11	P0594011	DISCHARGE CHUTE
12	P0594012	MOVABLE DOOR
13	P0594013	WING NUT M6-1
14	P0594014	FENDER WASHER 6MM
16	P0594016	HITCH PIN 2MM
17	P0594017	FENDER WASHER 8MM
18	P0594018	SCREEN
19	P0594019	SPACER 1
20	P0594020	SPACER 2
21	P0594021	SPACER 3
22	P0594022	HAMMER
23	P0594023	SPACER 4
24	PRP39M	ROLL PIN 4 X 20
25	P0594025	HAMMER AXLE
26	P0594026	WHEEL AXLE
27	P0594027	BOX FRAME SIDE LEFT
28	P0594028	WHEEL SUPPORT
29	P0594029	WHEEL
30	P0594030	SPACER
31	P0594031	COVER
32	P0594032	RING1
33	P0594033	RING2
34	P0594034	RUBBER GRID
35	P0594035	CHIPPER CHUTE
36	P0594036	BLADE COVER PLATE
37	P0594037	BEARING COVER
38	P0594038	WIRE CIRCLIP 25MM
39	P0594039	SPECIAL WASHER(RIGHT) 25MM
40	P0594040	BEARING SEAT
41	P0594041	BALL BEARING 4205
42	P0594042	SPACER (RIGHT)
43	PB26M	HEX BOLT M8-1.25 X 30
44	PFH21M	FLAT HD SCR M8-1.25 X 25
45	P0594045	BLADE
46	P0594046	IMPELLER
47	P0594047	BELT KEY
48	P0594048	ENGINE PLATE

REF	PART #	DESCRIPTION
49	P0594049	HOOK
50	PB09M	HEX BOLT M8-1.25 X 20
51	P0594051	REAR BOARD
52	P0594052	HOPPER GASKET
53	P0594053	HOPPER
54	P0594054	TOOL BOX
55	P0594055	HANDLES
57	PS42M	PHLP HD SCR M8-1.25 x 35
59	P0594059	IDLER PULLEY
60	P0594060	CLUTCH
61	PVA40	V-BELT A-40 4L400
64	P0594064	PULLEY COVER
65	P0594065	SUPPORT PLATE
66	PS11M	PHLP HD SCR M6-1 X 16
67	P0594067	BELT COVER BRACKET
68	PW03M	FLAT WASHER 6MM
69	P0594069	SUPPORT PLATE
70	P0594070	BELT COVER SUPPORT
71	P0594071	WIRE CIRCLIP 25MM
72	P0594072	SPACER
73	P0594073	PULLEY
74	P0594074	SPECIAL WASHER (LEFT) 25MM
75	P0594075	SPACER
76	P0594076	BOX FRAME SIDE RIGHT
77	P0594077	HEX BOLT M8-1.25 X 200
78	P0594078	COTTER PIN 3.2 X 20
79	P0594079	HOPPER GUARD
80	P0594080	BLADE COVER WARNING
81	P0594081	DISCHARGE CHUTE WARNING
82	P0594082	PULLEY WARNING
83	P0594083	OIL WARNING
84	PLABEL-12	READ MANUAL 2" X 3 5/16"
85	PLABEL-15	EAR PROTECTION 2" X 3 5/16"H
86	P0594086	G0594 ID LABEL
87	PLABEL-11	SAFETY GLASSES 2" X 3 5/16"
88	PSDS2	#2 STANDARD SCREWDRIVER
89	PWR1315	WRENCH 13 X 15
90	PWR1214	WRENCH 12 X 14
91	P0594091	SOCKET HANDLE
92	P0594092	SPARK PLUG SOCKET 5/8"
93	P0594093	GOGGLES
94	P0594094	FUNNEL
95	P0594095	EAR PROTECTION
96	P0594096	GLOVES
97	P0594097	HOPPER COVER
98	P0594098	FUNNEL COVER
99	P0594099	DISCHARGE BAG

WARNING

Safety labels warn about machine hazards and ways to prevent injury. The owner of this machine **MUST** maintain the original location and readability of the labels on the machine. If any label is removed or becomes unreadable, **REPLACE** that label before using the machine again. Contact Grizzly at (800) 523-4777 or www.grizzly.com to order new labels.



WARRANTY AND RETURNS

Grizzly Industrial, Inc. warrants every product it sells for a period of **1 year** to the original purchaser from the date of purchase. This warranty does not apply to defects due directly or indirectly to misuse, abuse, negligence, accidents, repairs or alterations or lack of maintenance. This is Grizzly's sole written warranty and any and all warranties that may be implied by law, including any merchantability or fitness, for any particular purpose, are hereby limited to the duration of this written warranty. We do not warrant or represent that the merchandise complies with the provisions of any law or acts unless the manufacturer so warrants. In no event shall Grizzly's liability under this warranty exceed the purchase price paid for the product and any legal actions brought against Grizzly shall be tried in the State of Washington, County of Whatcom.

We shall in no event be liable for death, injuries to persons or property or for incidental, contingent, special, or consequential damages arising from the use of our products.

To take advantage of this warranty, contact us by mail or phone and give us all the details. We will then issue you a "Return Number," which must be clearly posted on the outside as well as the inside of the carton. We will not accept any item back without this number. Proof of purchase must accompany the merchandise.

The manufacturers reserve the right to change specifications at any time because they constantly strive to achieve better quality equipment. We make every effort to ensure that our products meet high quality and durability standards and we hope you never need to use this warranty.

Please feel free to write or call us if you have any questions about the machine or the manual.

Thank you again for your business and continued support. We hope to serve you again soon.

BRIGGS & STRATTON ENGINE WARRANTY

Grizzly Industrial, Inc. does not warrant the engine that is included on this product. The engine on this product is covered by the Briggs & Stratton Engine Owner Warranty. Please refer to the Briggs & Stratton engine manual that is included with this product for the details of the Briggs & Stratton Engine Owner Warranty.





WARRANTY CARD

Name _____
 Street _____
 City _____ State _____ Zip _____
 Phone # _____ Email _____ Invoice # _____
 Model # _____ Order # _____ Serial # _____

The following information is given on a voluntary basis. It will be used for marketing purposes to help us develop better products and services. **Of course, all information is strictly confidential.**

1. How did you learn about us?

Advertisement Friend Catalog
 Card Deck Website Other:

2. Which of the following magazines do you subscribe to?

<input type="checkbox"/> Cabinet Maker	<input type="checkbox"/> Popular Mechanics	<input type="checkbox"/> Today's Homeowner
<input type="checkbox"/> Family Handyman	<input type="checkbox"/> Popular Science	<input type="checkbox"/> Wood
<input type="checkbox"/> Hand Loader	<input type="checkbox"/> Popular Woodworking	<input type="checkbox"/> Wooden Boat
<input type="checkbox"/> Handy	<input type="checkbox"/> Practical Homeowner	<input type="checkbox"/> Woodshop News
<input type="checkbox"/> Home Shop Machinist	<input type="checkbox"/> Precision Shooter	<input type="checkbox"/> Woodsmith
<input type="checkbox"/> Journal of Light Cont.	<input type="checkbox"/> Projects in Metal	<input type="checkbox"/> Woodwork
<input type="checkbox"/> Live Steam	<input type="checkbox"/> RC Modeler	<input type="checkbox"/> Woodworker West
<input type="checkbox"/> Model Airplane News	<input type="checkbox"/> Rifle	<input type="checkbox"/> Woodworker's Journal
<input type="checkbox"/> Modeltec	<input type="checkbox"/> Shop Notes	<input type="checkbox"/> Other:
<input type="checkbox"/> Old House Journal	<input type="checkbox"/> Shotgun News	

3. What is your annual household income?

\$20,000-\$29,000 \$30,000-\$39,000 \$40,000-\$49,000
 \$50,000-\$59,000 \$60,000-\$69,000 \$70,000+

4. What is your age group?

20-29 30-39 40-49
 50-59 60-69 70+

5. How long have you been a woodworker/metalworker?

0-2 Years 2-8 Years 8-20 Years 20+ Years

6. How many of your machines or tools are Grizzly?

0-2 3-5 6-9 10+

7. Do you think your machine represents a good value?

Yes No

8. Would you recommend Grizzly Industrial to a friend?

Yes No

9. Would you allow us to use your name as a reference for Grizzly customers in your area?

Note: We never use names more than 3 times. Yes No

10. Comments: _____

CUT ALONG DOTTED LINE

FOLD ALONG DOTTED LINE



Place
Stamp
Here



GRIZZLY INDUSTRIAL, INC.
P.O. BOX 2069
BELLINGHAM, WA 98227-2069



FOLD ALONG DOTTED LINE

Send a Grizzly Catalog to a friend:

Name _____
Street _____
City _____ State _____ Zip _____

TAPE ALONG EDGES--PLEASE DO NOT STAPLE

grizzly.com

TOOL WEBSITE

Buy Direct and Save with Grizzly® – Trusted, Proven and a Great Value!

*Visit Our Website Today And Discover
Why Grizzly® Is The Industry Leader!*

- SECURE ORDERING
- ORDERS SHIPPED WITHIN 24 HOURS
- E-MAIL RESPONSE WITHIN ONE HOUR

-OR-

Call Today For A **FREE**
Full Color Catalog

1-800-523-4777

